

Maxima

WashTech

Smart Cleaning

Large Solutions for Big Challenges:

APPLICATIONS

- ▶ Surface or heat treatment
- ▶ Degreasing of dirty parts in minutes
- ▶ Large parts or small parts in bulk



OPERATION

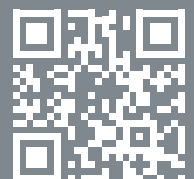
- 1 Parts are loaded on the table.
- 2 Table slides into the machine.
- 3 Parts are sprayed according to the program.
- 4 Optional multitank process.
- 5 Drying with hot/cold air or compressed air.
- 6 Table slides out the machine.

SPECIFICITIES

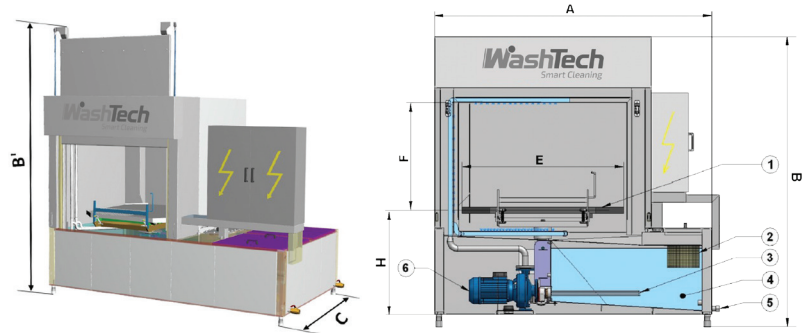
- Closed loop filtration
- Fine filters and oil separator (*option*)
- One or multiple tanks
- Easy access for maintenance
- Robust stainless steel construction

washtech.com.mx | +52 442 221 5031 | info@washtech.com.mx

Carretera Estatal 431, Km1.300, B17 Sur
Col. El Colorado, C.P.76246, El Marques,
Querétaro, MEXICO



SPECIFICATIONS METRIC

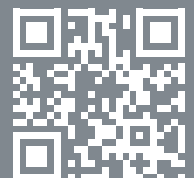


Part Capacity		Min	Max	External dimensions		Min	Max	
Round table diameter	① mm	950	2420	Width	Ⓐ mm	1900	3900	
Square table	Ⓔ mm	800x800	2000x2000	Depth	Ⓒ mm	1380	2750	
Height	Ⓕ mm	800	On demand	Depth with manual door open	mm	2380	2810	
Loading height	Ⓖ mm	960	1100	Height	Ⓑ mm	1950	2200	
Maximal load	kg	1000	2000	Height with steam extractor	mm	2500	2610	
				Height with vertical door open	Ⓑ' mm	3250	3500	
Pumps		Min	Max	Tanks		Min	Max	
Power <i>per tank</i>	⑥ kW	4	11	Volume <i>per tank</i>	④ liters	350	1200	
Flow	L/min	450	950	Heating power <i>per tank</i>	③ kW	12	48	
Pressure	bar	5	12	Tank return filter	② μ	800	800	
				Temperature	°C	50	80	
Other characteristics						Min	Max	
Machine weight						kg	500	2000
Maximal cleaning time						min	10	40

*Specs subject to change without prior notice.

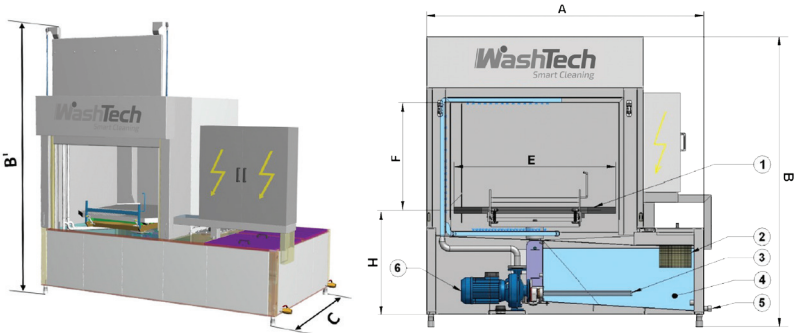
Options

- ✦ Automatic filling
 - ✦ Compressed air blowing
 - ✦ Oil separator
 - ✦ Detergent dosing device
 - ✦ Draining pump
- ✦ Fine filtration
 - ✦ Hot air drying
 - ✦ Manual/Auto loading
 - ✦ Mist collector
 - ✦ Multi baths
- ✦ Robot interface
 - ✦ Steam extraction
 - ✦ Thermal insulation
 - ✦ Forklift or AGV loading





SPECIFICATIONS US CUSTOMARY



Useful dimensions		Min	Max	External dimensions		Min	Max	
Round table diameter	① in	37	95	Width	Ⓐ in	75	153	
Square table	Ⓔ in	31.5x31.5	78x78	Depth	Ⓒ in	55	110	
Height	Ⓕ in	31.5	On demand	Depth with manual door open	in	94	112	
Loading height	Ⓖ in	37	86	Height	Ⓑ in	77	87	
Maximal load	lb	2200	4400	Height with steam extractor	in	99	103	
				Height with vertical door open	Ⓑ in	128	138	
Pumps		Min	Max	Tanks		Min	Max	
Power per tank	⑥ kW	4	11	Volume per tank	④ gal	93	317	
Flow	gpm	120	251	Heating power per tank	③ kW	12	48	
Pressure	psi	75	175	Tank return filter	② μ	800	800	
				Temperature	°F	122	176	
Other characteristics						Min	Max	
Machine weight						lb	1100	4400
Maximal cleaning time						min	10	40

*Specs subject to change without prior notice.

Options

- ✦ Automatic filling
 - ✦ Compressed air blowing
 - ✦ Oil separator
 - ✦ Detergent dosing device
 - ✦ Draining pump
- ✦ Fine filtration
 - ✦ Hot air drying
 - ✦ Manual/Auto loading
 - ✦ Mist collector
 - ✦ Multi baths
- ✦ Robot interface
 - ✦ Steam extraction
 - ✦ Thermal insulation
 - ✦ Forklift or AGV loading



washtech.com.mx | +52 442 221 5031 | info@washtech.com.mx

Carretera Estatal 431, Km1.300, B17 Sur
Col. El Colorado, C.P.76246, El Marques,
Querétaro, MEXICO